



Phaltan Education Society's
College of Engineering Phaltan

A Report on

State Level Technical Event

Kurukshetra 2019

The battle of brains

About Phaltan Education Society.....

In reality, Shrimant Malojiraje was the caretaker of the people and wanted to make them literate. He realised that education was the the best means to bring about an all round development of the people with this realization he established the Phaltan Education Society in the year year 1951. The society took under its fold, an already existing institution, Mudhoji Highschool and expanded it.

Late shrimant Shivaji Raje Naik nimbalkar, the secretary of Phaltan Education Society, directed the Phaltan Education Society to expand its operation and set up Mudhoji College in 1957, and provide higher education in the rural area. In which childrens of common farmers and agricultural labourers can take of higher education at door steps.

This college has provided an opportunity to the needy students of Phaltan. Presently the Phaltan Education Society runs as many as 43 different institutions which include primary schools, high schools, junior colleges, agricultural schools, agricultural college, horticultural college, English medium school, senior colleges IT centre, minimum skills vocational centres and Engineering College. This society has the hostels for the poor and backward sections. Society runs 43 different institutions which include primary schools High schools, junior colleges, agricultural schools, agricultural college horticultural college and English medium school senior colleges and it centre and minimum skills vocational centres and Engineering College. This society has the hostels for the poor and rearward sections.



About technical event.....

KURUKSHETRA

the battle of brain.....

Education and competition are two universal ingredients of all human cultures, in fact, of almost all animal life. Humans have always considered education and competition important issues, both in the past and in the present. Of course, there have been fluctuations in emphasis and much has changed throughout the centuries.

Phaltan education society's College of engineering Phaltan started in 2011 in 2014-15 our college decided to start any innovative activity to improve the technical skill of students and to make involvement of student in technical activity so to provide platform to student to show their skills our college started technical event kurukshetra with tagline the battle of brain State level competition this battle is for the betterment of college this battle is for the betterment in technology mast betterment the skill of students through this activity we hope that we will improve the student to make them involve in the different activity e and try to create their interest in the research for kurukshetra 2019 under different department we have organised different activities search as paper presentation poster presentation katwar assembly making wireless robot water rocket launcher quiz competition building model exhibition at 17. Total 21 events organized in this year.

It is not surprising that education and competition are intimately related. On one hand, it is natural for children to compete and, therefore, understandable that competition is put to educational use. On the other hand, competition may be found so important in adult life, that a society especially educates their young to compete. It gives an historic overview of education, competition, and competition within education, with an emphasis on technical education. It appears that large-scale formalized competitions are a relatively recent phenomenon in the long history of education. We argue that in the future the role of competitions should be expanded, but that this requires more effort from all branches of society.



Principal Dr. M. K. Phadatare Welcoming Shri. Dipakrao Chavan, MLA Phaltan Koregoan Assembly at Kurukshetra



विद्यामर्थं च साधयेत्।



Phaltan Education Society's

College of Engineering, Phaltan

Eagerly solicit your gracious presence for

State Level Technical Event

KURUKSHETRA-2019

Inauguration Ceremony

20th September 2019 at 11:00 am

— **Chief Guest** —

Shreemant Sanjivraje Naik Nimbalkar

President, Satara District Council,
Secretary, Phaltan Education Society

Shreemant Aniketraje Naik Nimbalkar

Chairman, Engineering College Committee

— **College Committee Members** —

Shri. Bhojraj Vitthalrao Naik Nimbalkar

Shri. Shirish Sharadkumar Doshi

Shri. Hemant Vasantrya Ranade

Dr. Shri. Parshwanath P. Rajvaidya

Shri. Arvind Rupchand Shaha

Shri. Arvind Sakharam Nikam

Shri. Shrikant Baburao Phadatore

— **Dr. M. K. Phadatore** —

Principal

Venue : Seminar Hall, College of Engineering, Phaltan.

विद्यामर्थं च साधयेत्।



Phaltan Education Society's

College of Engineering, Phaltan

State Level Technical Event

KURUKSHETRA-2019

Inauguration Ceremony

20th September 2019 at 11:00 am



Dr. M. K. Phadatare



Principal

PHALTAN EDUCATION SOCIETY'S

COLLEGE OF ENGINEERING, PHALTAN.

State Level Technical Event

"KURUKSHETRA 2019"

Inaugural Ceremony

20th Sept. 2019 11.00 a.m.

PROGRAMME AT A GLANCE

- ❖ **Inauguration By:** *Saraswati Poojan and Dipprajwalan*
- ❖ **Welcome and Felicitation of Guests**
- ❖ **Information of the event Kurukshetra: By**
Prof. S. V. Kalel,
Convener, Kurukshetra 2019
- ❖ **Introductory Speech :By**
Dr. M. K. Phadatare,
Principal, PES's COE, Phaltan
- ❖ **Prize distribution of Math's Quiz Competition Winners**
- ❖ **Presidential Address By:**
Hon. Shrimant Sanjivraje Naik Nimbalkar,
President, Satara District Council,
Secretary Phaltan Education Society
- ❖ **Vote of Thanks By:**
Prof. S. A. Jagtap
HOD, Electronics and Telecommunication Engineering Department

Event Poster:



Phaltan Education Society's
COLLEGE OF ENGINEERING, PHALTAN
 SHREEMANT SHIVAJIRAJENAGAR, THAKURKI, PHALTAN, DIST. SATARA (MAHARASHTRA) - 415523
[http:// www.coephaltan.edu.in](http://www.coephaltan.edu.in)



Shreemant Ramraje Naik Nimbalkar
Chief Patron

Shreemant Raghunathraje Naik Nimbalkar
Patron

Shreemant Sanjivraje Naik Nimbalkar
Patron

COLLEGE COMMITTEE
Shreemant Aniketraje Naik Nimbalkar
Chairman

Shri. Bhojraj Naik Nimbalkar Member
 Shri. Shirish Sharadkumar Doshi Member
 Shri. Hemant Vasantao Ranade Member
 Shri. Arvind Rupchand Shaha Member
 Dr. Parshwanath P. Rajvaldiya Member
 Shri. Arvind Sakharan Nikam Member
 Shri. Shrikant Baburao Phadatarre Member

Dr. M. K. Phadatarre
Principal

State Level Technical Competition
Kuruksketra 2K19
The Battle of Brains....



20th Sept. 2019
Friday

Prizes worth Rs. 1 Lakh

Mechanical Engineering

CAD WAR (3D)
Gawade Kisan
9112484920
Participant Max. 1
Entry Fee - 50/-

ROBO RACE
Kame Mangesh
7083668772
Participant Max. 2
Entry Fee - 100/-

PAPER PRESENTATION
Ganesh Siddhant
9275630410
Participant Max. 2
Entry Fee - 100/-

ASSEMBLY MAKING
Jadhav Shambrurao
8600709571
Participant Max. 4
Entry Fee - 200/-

Diploma Mechanical Engineering

WATER ROCKET LAUNCHER
Temboli AAK
9284745600
Participant Max. 2
Entry Fee - 50/-

CAD WAR (2D)
Ghadge Onkar
9373614419
Participant Max. 1
Entry Fee - 50/-

MECHANICAL MODEL MAKING
Kumbhar Tanmay
9860143240
Participant Max. 4
Entry Fee - 100/-

Solution & Humanities

MATHS QUIZ COMPETITION
Tate Yogesh
7057783548
Participant Max. 1
Entry Fee - Nil

E & TC Engineering

TWISTERS IN 'C'
Sargar Pradnya
9511285246
Participant Max. 1
Entry Fee - 50/-

DEBATE
Adul Shehal
9021776257
Participant Max. 2
Entry Fee - 100/-

PAPER PRESENTATION
Newale Antrasta
8329459642
Participant Max. 1
Entry Fee - 50/-

Diploma E & TC Engineering

PAPER PRESENTATION
Ghadge Hrushik
9137141816
Participant Max. 2
Entry Fee - 100/-

POSTER PRESENTATION
Satre Swapnil
9021310111
Participant Max. 2
Entry Fee - 100/-

QUIZ
Vyavhare Himalay
9284637305
Participant Max. 2
Entry Fee - 100/-

Computer Engineering

CUI PAPER PRESENTATION
Patei Anjali
9130284144
Participant Max. 2
Entry Fee - 100/-

LATEX SUPREMO
Nale Abul
9130284144
Participant Max. 1
Entry Fee - 50/-

NFS RACING
Bhosale Pratisana
7020816599
Participant Max. 1
Entry Fee - 50/-

Civil Engineering

FIELD EXPO
Ghadge Pravin
8275755864
Participant Max. 3
Entry Fee - 150/-

AUTO CAD
Phadatarre Namrata
8007926899
Participant Max. 1
Entry Fee - 50/-

BUILDING MODEL
Khadke Punit
8330980989
Participant Max. 3
Entry Fee - 50/-

Winner & Runner Col. Cash Prize + Trophy & Certificate For Each Participant



| Refreshment & Bus facility | For all the rules of event refer : <http://www.coephaltan.edu.in>



Prize Distribution by the auspicious hands of Mr. Dipakrao Chavan M.L.A. Phaltan koregoan assembly and Principal Dr. M. K. Phadatarre

Phaltan Education Society's

College of Engineering, Phaltan

"Kurukshetra (Techfest) -2019-20"

KURUKSHETRA COMMITTEE MEMBERS

Sr. No.	Committee	Role	Name of Staff	Department
1		Convener	Prof. S .V. Kalel	S&H
2		Co-Convener	Mr. Bagwan S. S.	Mechanical
3			Mr. Sodmise A. L.	Civil
4			Ms. S. S. Adagale	Computer
5			Ms. S. S. Kuchekar	E&TC
6			Mr.J.V.Khalate	Dip. Mechanical
7			Mr. N S Govekar	Dip. ETC
8			Prof. D.N. Shinde	S&H
9			Guest Invitation, Letters, Anchor.	Co-ordinator
10	Member	Prof. B. P. Katkar		Dip ETC
11	Member	Prof.T.D. Bhosale		S&H
12	Poster and Certificate Committee	Co-ordinator	Mr. S. R. Sawant	Mechanical
13		Member	Mr. Patil S. R.	Civil
14		Member	Ms. S. S. Adagale	Computer
15		Member	Mr. S R Badiger	E&TC
16	Sponsorship Committee	Co-ordinator	Mr. M. B. Jagtap	Mechanical
17		Member	Mr. Gaikwad M. N.	Civil
18		Member	Mr. S. S. Pawar	Computer
19		Member	Mr. S. P. Jagtap	E&TC
20		Member	Prof. V. V. Gundage	Dip Mechanical
21	Campaigning Committee	Co-ordinator	Mr. A. A. Hipparkar	Computer
22		Member	Mr. H. S. Patil	Mechanical
23		Member	Mr. Patil S. R.	Civil
24		Member	Ms. Nale S. B	ETC
25		Member	Prof. M. D. Bankar	Dip Mechanical
26	Registration Committee	Co-ordinator	Mr. S. R. Badiger	E&TC
27		Member	Ms. Ingale N. N.	Civil
28		Member	Mr. H. S. Patil	Mechanical
29		Member	Ms. S. S. Shelake	Computer
30		Member	Mr. Y.V. Shinde	Dip Mechanical
31		Member	Prof. P. S. Dhaigude	Dip. ETC
32	Stage, Sound and Flex Committee	Co-ordinator	Mr. Gorad C. M.	Civil
33		Member	Mr. A. R. Dhumal	Computer
34		Member	Mr. Aniket Pawar	Mechanical
35	Accommodation and Bus Committee	Co-ordinator	Mr. T. D. Gadekar	Mechanical
36		Member	Mr. Gaikwad M. N.	Civil
		Member	Prof. S.B. Shejal	S&H
37	Refreshment	Co-ordinator	Mr. Chavan K. U	Civil

38	and Food Committee	Member	Mr. Jadhav Sangram	Dip. ETC
		Member	Mr. S. B. Jadhav	Mechanical
40	Trophies & Prize Distribution Committee	Member	Ms. K. D. Pawar	Computer
41		Member	Mr.S.P. Mane	Dip. Mechanical
		Co-ordinator	Mr. M. M. Gargade	Dip. E & TC
42		Member	Mr. B. P. Shaikh	Mechanical
43		Member	Ms. A A Pathan	Computer
		Member	Mr. A. B. Nalawade	Dip. Mechanical
44		Member	Ms. Nale S. B	ETC
45	Website Database	Co-ordinator	Mr. A. T. Bhosale	Computer
	Discipline Committee	-	ALL HOD's, Teaching and Non Teaching Staff	



Inauguration of Kurukshetra2019 in presence of Mr. Mahendra Jadhav Former president of Credai and Prize Distribution of quiz Competition

Phaltan Education Society's
COLLEGE OF ENGINEERING, PHALTAN

Krukshetra-2019

Registration Report

Sr No	Department	Event	No of participant for Event	Internal Entries	Internal participants	External Entries	External participants	Total participants	Total Entries
1	Mecahnical	Paper Presentation	2	5	10	0	0	10	5
2		Robo Race	2	8	16	1	2	18	9
3		Assembly Making	4	15	60	0	0	60	15
4		CAD War	1	10	10	1	1	11	11
Total				38	96	2	3	99	40
5	E & TC	Paper Presentation	1	9	0	6	6	6	15
6		Twister in C	1	22	22	0	0	22	22
7		Debate	2	9	18	0	0	18	9
Total				78	136	8	9	145	86
9	Computer	Paper Presentation	2	9	18	1	2	20	10
10		Latex Supremo	1	28	28	0	0	28	28
11		Code Quiz	1	34	34	4	4	38	38
12		NFS Racing	1	45	45	0	0	45	45
Total				116	125	5	6	131	121
15	Civil	Paper Presentation	2						
13		Auto CAD	1	27	27	0	0	27	27
14		Building Model	3	7	21	0	0	21	7
15		Field Expo	3	6	18	0	0	18	6
Total				40	66	0	0	66	40
18	Mech(Diploma)	Water rocket launcher	2	55	110	0	0	110	55
19		CAD war	1	26	26	2	2	28	28
20		Model Making	4	12	48	0	0	48	12
Total				93	184	2	2	186	95
22	ETC(Diploma)	Paper Presentation	2	9	18	2	4	22	11
23		Poster Present	2	4	8	5	10	18	9
24		Quiz	2	29	58	2	4	62	31
Total				42	84	9	18	102	51
Total of all Dept				407	691	26	38	729	433

**Phaltan Education Society's
College of Engineering, Phaltan
Department of Mechanical Engineering
Kurukshetra-2k19**

Kurukshetra-2k19 is state level technical event organized by Phaltan Education Society's College of Engineering, Phaltan on Friday 20th September 2019. There are four technical events organized by department of Mechanical Engineering (Assembly Making, CAD-WAR(3D), Paper Presentation and Robo Race) .Department of Mechanical Engineering consists of some objectives which are achieved in these events.

Program objectives:

1. Students should able to design and implement engineering system and devices.
2. Students should able to apply knowledge of mathematics, science and engineering to analyze, design and evaluate mechanical components and systems using state of the arts IT tools.
3. Students should able to apply current techniques, skills and knowledge to develop mechanical systems.
4. Students should able to investigate and solve problems.
5. Students should function effectively in teams, in divers and multidisciplinary areas to accomplish common goals.
6. Students should able to communicate effectively in diverse groups and exhibit leadership qualities.

No. of Participant	95
Participant from other Colleges	15
Participant from PES COEP	80

Details of the events are as follows:

1. Event Name-Assembly Making

Event Coordinator- Prof. Gadekar T. D.

No. of Participant	60
Participant from other Colleges	12
Participant from PES COEP	48

Objectives:

1. Students must apply theoretical knowledge to develop the Assembly.
2. Students must have good team work & cooperation among the team members.
3. Students must apply innovative ideas to optimise material, mechanisms, cost etc.

General Rules:

1. There will be levels in competition of assembly making.
2. Substitutions for team members are not allowed.
3. Identification and verification of team member must be provided.
4. Participant can apply for only one team at a time in event.
5. Each team must pay non-refundable registration fee for assembly making event at registration desk.
6. Registration of participant should be completed 3 days' prior of the event.
7. Entry fees for event is 200 Rs/- per team.
8. Assembly can be built by using any medium i.e. - plastic pipes, various joint, as per convenience.
9. Model size and weight must be strictly follow.
10. Decision of judges will be final.



Inauguration of event by honorable guests Mr. Mahendra jadhav, Dr. Rajvaidya, Dr. M. K. Phadatare

Evaluation Criteria:-

- A) Time of Assembly
- B) Number of link
- C) Number of joint



Dignitaries Mr. Rajvaidya, Member College committee, Mr. Mahendra jadhav visit to event Assembly making

Winners

Position	Name/s of Participant	Name of College
Winner	Sagar Ashok kadam AdarshMarutikare Nikhil Sanjay Waghmare RohitMarutikarne	PES's College Of Engg. Phaltan
Runner up	Aniket Dilip Mane Prathamesh Shaha Saurabh Sukhdev Dange Gaurav Vilas Kale	PES's College Of Engg. Phaltan

❖ Outcomes of event

1. Students have gone through healthy competition.
2. Students worked in team and co-operated team members to win the competition.
3. During working in team they faced many problems. They took problems as challenges and overcome those challenges by proper management and good decision making. So with technical knowledge students also applied managerial skills.

2. Event Name-CAD WAR(3D)

Event Coordinator-Prof. Shaikh B.P.

Name of Event	3D CAD WAR
No. Of Participant	11
Participant from other Colleges	1
Participant from PES COEP	10
Name of Judge (with Qualification and Experience)	Name:- Prof. Thombare G.V. Designation :- Assistant Professor at Mechanical Engineering Department College Name:- PES's COE, Phaltan Qualification:- M.E.(Mechanical Design Engg.) Experience:- 8 Years

Topic/Specifications:

3D CAD WAR

1. Software- Catia V5 only
2. No. of Participant- 1 only
3. Registration fee is Rs.50 /- only.
4. Round I- 3D Part Modeling, Time-30 minutes
5. From result of round I top 6 allowed for Round II
6. Round –II – 3D Part Modeling, Time- 45 minutes
7. From result of Round –II, Winner and runner up will be declared.

Rules:

General Rules:

1. Software- Catia V5 only
2. No. of Participant- 1 only
3. Registration fee is Rs.50 /- only.
4. ID card is mandatory.
5. Decision of the judges will be final and will not be subjected to any further discussions.

Rounds-

No. of Rounds -2

Round -1-

Generating 3D model

Time – 30 minutes.

Rules –

- This is a hand on round on 3D modelling software.
- Problem statement consisting of generating an isometric view from 3 or less orthographic view will be given.
- Result based on accuracy & speed.
- Some Questions will be asked based on modelling.

Round-2-

Rules-

- New models will be given & winner will be decided based on the same rule as earlier.

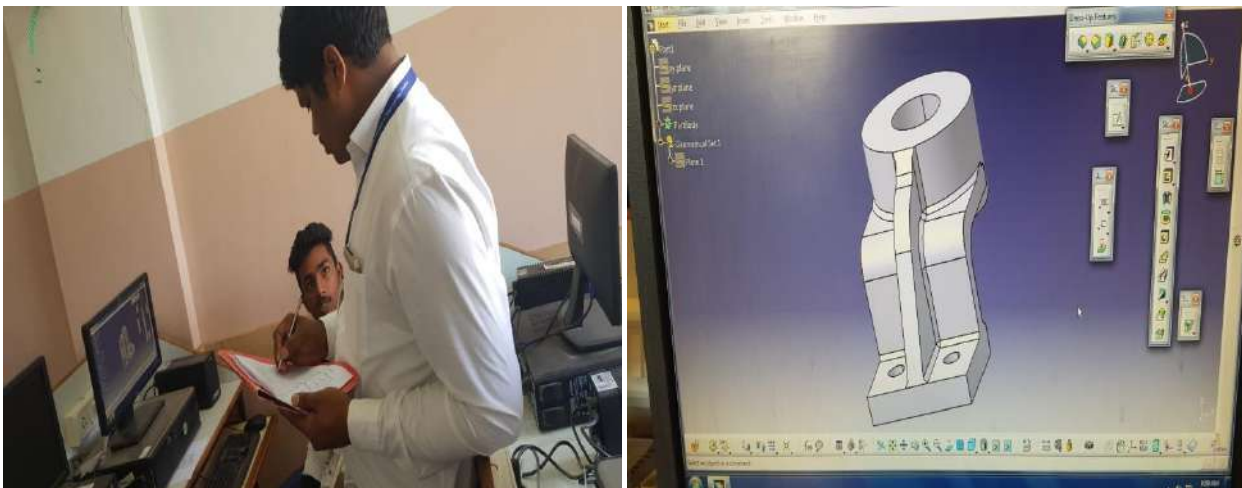
Evaluation Criteria:-

Fully Constrained Sketch	10 Marks
Strategy of Modeling	10 Marks
Completion within Time	10 Marks
Accuracy of Modeling	10 Marks
<u>Question Answer</u>	<u>10 Marks</u>
Total out of	50 Marks

Captured Moments:



Inauguration of the event by the hands of Mr. Sandip Kumar, Cummins ind.ltd representative



Evaluation of drawings by judge Mr. G. V. Thombare

Winners:

Position	Name/s of Participant	Name of College
Winner	Shaikh Shahrukh Amin	PES's COE, Phaltan
Runner up	Jalgar Shivani Sanjay	PES's COE, Phaltan

❖ Outcomes of event

1. Students compete to complete given model in less time with more accuracy with use of CATIA software.
2. Accuracy and minimum time requirement is need of industries. So students can develop professional skill in CAD world of CATIA software which is mostly used in industries.

3. Event Name-Paper Presentation

Event Coordinator- Prof. Sawant S. R.

Name of Event	Paper Presentation
No. Of Participant	Total No. of Group- 5, Participant- 6
Participant from other Colleges	Total No. of Group- 0 , Participant- 0
Participant from PES COEP	Total No. of Group- 5 , Participant- 6
Name of Judge (with Qualification and Experience)	Prof. V. B. Rajmane SVPM'S COE Malegaon Qualification: M.E.(Mechanical Design Engg.) Experience: 15 Years



Inauguration of Paper presentation by Mr. Mahendra Jadhav Former President Credai.

Presentation Rule:

1. Candidates should bring two hard copies and one soft copy of the paper at the time of Presentation
2. Soft-copies of the submitted paper and Power Point presentations must be in the .docx format (MS Office 2003, 2007, 2010 format).
3. The teams will get 10 minutes for presentation followed by question and answer session.

Topics:-

1. Mechanical Engineering- Ideas, Innovations and Initiatives
2. Renewable Energy & Carbon credit
3. Bio – mechanical technology - This area may include designing prostheses, developing movement systems for people with spinal injuries, and refining equipment for athletes in high-performance sports
4. Space and aviation technology - Design or production of aircraft, spacecraft, aerospace equipment, satellites or missiles.
5. Automobile technology – Design or construction, maintenance, and operation of self - propelled vehicles for use on land or sea, in air or space.
6. Marine technology – conception or design or construction techniques of ships, offshore structures, marine vehicles and other advanced offshore technologies.
7. Robotics & Automation-Design or production of Robots, Automation Lines, Conveyor & Cranes

Description:

Paper Presentation is about how we put our topic, Knowledge, sense of humor, presentation in front of the public. They see the way we present it and our style of presenting the paper. The language we present the topic in. Technical presentations serve engineering, scientific and high tech purposes, describing advances in technology, problem resolution, and product design, project status. So this event was conducted in Kurukshetra-2K19. The main objective of this



Students while Presenting papers at Event Paper Presentation

Event is to encourage students to become involved in the dynamic profession of Mechanical engineering and to apply the presentation skill in daily life. Paper presentation reflects our professionalism.

Winners

Position	Name/s of Participant	Name of College
Winner	1) Miss. Bankar Priyanka Jailindar	PES's COE, Phaltan
Runner up	1) Mr. Awad Tushar C. 2) Mr. Shinde Akash Hemant	PES's COE, Phaltan

4. Event Name-Robo Race

Event Coordinator-Prof. Jagtap M.B.

No. of Participant	9 Groups (18 Participant)
Participant from other Colleges	1 Group (02 Participant)
Participant from PES COEP	8 Groups (16 Participant)

OBJECTIVES-

1. The objective is to design a manual robot and which can compete on an arena specially designed for robo race match.
2. The event is aimed at testing the Flipping, Pushing and the control of the robot.

Topic/Specifications:

Our event committee has made track for robot race. This track consist of various elevations, obstacles throw which participants has to run his robot with minimum handlings and minimum time with minimum skipping of obstacle. The participant who will travel his robot from that track with above rules will be the winner.

ROBOT SPECIFICATIONS:

1. The robot should fit inside a box of 40cm*40cm*40cm.
2. Robot should not exceed 4 kg.
3. The robot can be wired.
4. The robot should be powered with supply not exceeding 12V(on board power supply)

Rules:-

- 1) Maximum 02 Candidate in one Group
- 2) The Battery used Cannot Exceed 12 V and external power supply not allowed
- 3) Entry Fees Rs. 100 per Group
- 4) Competition will be Played on Knockout basis
- 5) Decision of Judges shall be Treated as Final and Binding on all
- 6) Second Chance will be Given as per the Participants Quantity
- 7) Points Based on Handling, Skipping and Timing (Instruction of This point is Given at the time of Events)
- 8) Above Rules Will be Changes as per the Final Track.



*Inauguration of event Wireless Roborace by Dr. Rajvaidya in presence of Mr. Mahendra jadhav
Principal Dr. M. K. Phadatare*

Topic/Specifications:

Our event committee has made track for robo race. This track consist of various elevations, obstacles throw which participants has to run his robot with minimum handlings and minimum time with minimum skipping of obstacle. The participant who will travel his robot from that track with above rules will be the winner.

The day before KURUSHETRA the robot race committee members prepared the robot race track components then we have assembled all this components in a given space at mechanical engineering department. On the day of KURUSHETRA first we have collected all the entries from the registration committee. After inauguration by the chief guest we have started the competition. There are 09 groups from various colleges participated. Each group consists of 2 members. Competition is completed 4.00 pm then we have declared the results.



Wireless Roborace students with their Robots

Winners

Position	Name/s of Participant	Name of College
Winner	Bhushanraj Phadatare Shubham Jadhav	PES's College of Engg. Phaltan
Runner up	Taware Karan Zagade Ravindra	SVPM's College of Engineering ,Malegaon, Baramati

❖ Outcomes of event

1. Students have gone through healthy competition.
2. Students worked in team and co-operated team members to win the competition.
3. During working in team they faced many problems. They took problems as challenges and overcome those challenges by proper management and good decision making. So with technical knowledge students also applied managerial skills.

❖ Outcomes of events at Mechanical Engineering Department

1. Students are able to design and implement engineering system and devices.
2. Students are able to apply knowledge of mathematics, science and engineering to analyze, design and evaluate mechanical components and systems using state of the arts IT tools.
3. Students are able to apply current techniques, skills and knowledge to develop mechanical systems.
4. Students are able to investigate and solve problems.
5. Students can function effectively in teams, in divers and multidisciplinary areas to accomplish common goals.
6. Students are able to communicate effectively in diverse groups and exhibit leadership qualities.

Event Coordinators

Prof. Gadekar T.D. (Assembly Making)

Prof. Shaikh B.P. (CAD WAR 3D)

Prof. Sawant S.R. (Paper Presentation)

Prof. Jagtap M.B. (Robo Race)

Phaltan Education Society's
College of Engineering, Phaltan
Department of Computer Engineering

Report on Kurukshetra 2019

PES's College Of Engineering,Phaltan started in 2011.this is battle for the knowledge improvement betterment in technology,skill improvement of students through these activities. We hope that we will improve the student make them involve in the different activity and try create their interest in research.The College believes in all round development of personality of the students as goal of education. So to encourage the budding Professionals to exhibit their talents in Technical activities like debate, quiz, paper presentation, Poster Presentation our college organizes this type of Kurukshetra event.

With reference to above subject Computer department conducted four events under Kurukshetra 2019-20.

S.No.	Event Name	Event Coordinator
1	Paper Presentation	Prof.Ms.A.A.Pathan
2	Code Quiz	Prof.Ms.S.S. Shelke
3	Latex Supremo	Prof.Ms.K.D.Pawar
4	NFS	Prof.S.S.Pawar

Participation Details

College Name	Events			
	PP	CQ	LS	NFS
PES's COE, Phaltan	20	34	28	45
Mudhoji College, Phaltan	1	04	0	0
Total	21	38	28	45

Result of Events

Phaltan Education Society's College of Engineering, Phaltan Computer Engineering Department KURUKSHETRA 2K19 RESULT			
CSI PAPER PRESENTATION			
Rank	Name of Participant	Name of College	Mobile No.
2	Ghanwat Pooja	Mudhoji College, Phaltan (BCS)	9623694108
1	Patki Anjani Shrikant	PES's, College of Engineering, Phaltan	7391952468
	Gandhi Aishwarya Rajkumar		8855005508

Event coordinator -
Rastur
20/9/19 -
Prof. Ms. Pathan A.F

LATEX SUPREMO			
Rank	Name of Participant	Name of College	Mobile No.
2	Doshi Aishwarya Rajkumar	PES's, College of Engineering, Phaltan	8329444310
1	Kutwal Sourabh Ramesh	PES's, College of Engineering, Phaltan	7757828061


Kus
20/9/19
Prof. Ms. Pawar K.D

CODE QUIZE			
Rank	Name of Participant	Name of College	Mobile No.
2	Pisal Vivek Sanjay	PES's, College of Engineering, Phaltan	9673284149
1	Kutwal Sourabh Ramesh	PES's, College of Engineering, Phaltan	7757828061

Adagale
20/9/2019
Prof. Ms. Adagale S.S

NFS RACING			
Rank	Name of Participant	Name of College	Mobile No.
2	Mulani Parvez Abidali	PES's, College of Engineering, Phaltan	8412890278
1	Saste Abhishek	PES's, College of Engineering, Phaltan	9970720079

Patil
20-4-19
Prof. S.S. Pawar


 Prof. Ms. S. S. Adagale
 Co-Convener



 Dr. M. K. Phadtare
 Principal

Fig.1 Kurukshetra 2019 Result

1) PAPER PRESENTATION:

Computer Engineering department has organized Paper Presentation event in association with CSI under Kurukshetra 2K19. This event is start by 11.00 am in the morning. The Paper Presentation Event aims to provide the best platform to showcase the research ideas in front of an esteemed panel of judges. Presentations, now days, are an indispensable part of the corporate sector. People wanting to move mountains in future must begin by carrying small stones and this is the impetus of this technical paper presentation. The purpose of this technical paper presentation is to judge efficaciously how skilled we are in our own fields. This event is organized in association with Computer Society of India (CSI). Computer Society of India is the first and largest body of computer professionals in India. The Computer Society of India is a non-profit professional meet to exchange views and information learn and share ideas. The wide spectrum of members is committed to the advancement of theory and practice of Computer Engineering and Technology Systems, Science and Engineering, Information Processing and related Arts and Sciences. The Society also encourages and assists professionals to maintain integrity and competence of the profession and fosters a sense of partnership amongst members. Besides the activities held at the Chapters and Student Branches, the Society also conducts periodic conferences, seminars. Because of this, this technical Paper Presentation event showcased the very essence of unbridled technical know-how of the participants.

Goals:-

- To create awareness about the latest updates in the field of electrical engineering.
- To encourage those students who have shown excellence in academics.
- To provide an opportunity for students conducting original scientific investigations to present their work publicly.
- Energizing the abilities.
- Enabling member's career.
- Enhancing the personal of every individual

Outcomes:

- The paper presented at this event will constitute useful resources material for future activities in the development of methodologies for data collection.
- The conclusions will be extremely valuable in the determination of actions to be taken over the next few years covering different aspects of development and experimentation of methodologies.

Topic:

1. Nano Technology
2. Artificial Intelligence and Machine learning
3. Data Science and analytics
4. Emotional Intelligence
5. Blockchain Technology
6. Advanced Wireless Communication
7. Business Intelligence
8. Digital revolution in speech and language processing
9. Internet of things.

Rules:

1. Maximum **2** participants in each group.
2. Total time for presentation- **15 minutes**. (10 minutes for presentation + 5 minutes for question answers)
3. Paper format will be available on website (**IEEE format**).

Name of Judge: Dr.SomnathThigale.(Computer and ScienceEngineering,SKN,SCOE,Pandharpur)

Total No. Of Entry's:- 10 Group(Internal) + 01Group(External) =11

Name of Event Coordinator: Prof. Ms. Pathan A.A 8421734765



Students while presenting papers in presence of Judge Dr. Somnath Thigale

Result

Rank	Name of Participant	College Name	Moblie No
1	Patki Anjani Shrikant	PESCOE,Phaltan	9834017002
	Gandhi Aishwarya Rajkumar	PESCOE,Phaltan	8855005508
2	Ghanwat Pooja	Mudhoji College,Phaltan	8975696990



Winners of Paper Presentation while accepting prize from Prof. S. A. Jagtap

2) CODE QUIZ

Computer engineering department has organized Code Quiz event in Kurukshetra 2K19. The Code Quiz Event aims to provide the interactive platform to students. A quiz is a form of game or mind sport, in which the players (as individuals or in teams) attempt to answer questions correctly. It is a game to test your knowledge about a certain subject. In some countries, a quiz is also a brief assessment used in education and similar fields to measure growth in knowledge, abilities, and/or skills.

Goals:-

- Quiz is designed to promote, a fun way to study and in the process help improve one's general knowledge
- To encourage those students who have shown excellence in academics.
- Quiz competitions enables students to think from different angles or simply 'to think out of the box'.
- Energizing the abilities.
- Quiz competitions even help build the student's soft skills.
- Enhancing the personal of every individual.

Outcomes:-

- Quiz improve or expanding knowledge either general or in specific area.
- Improve basic concept of programming language.

Rounds:

1. Aptitude test
2. Question-Answer
3. Rapid Fire
4. Visual Coding

Rules:

1. A team shall consist of Maximum 2 person.
2. The Participant shall not be allowed to use mobile or other electronic instruments.
3. The decision of the quiz master will be final..

Name of Event Coordinator: Prof.Ms. Shelke S.S. (7020340223)

Total No. Of Entry's:34(Internal) + 04(External) =38

Result:

Rank	Name of Student	Name of College	Mobile No.
1	Kutwal Sourabh	PES's College of Engineering,Phaltan	7757828061
2	PisalVivek	PES's College of Engineering,Phaltan	9673284149



Inauguration of Code Quiz Event by Mugutrao Kadam Press Reporter Daily Aikya



Click during visual round of code quiz



Winner of Code Quiz accepting prize from Principal Dr. M. K. Phadatore and Hon. Mr. Dipakrao Chavan, MLA, Phaltan

3) LATEX SUPREMO:

Latex is a document preparation system for high-quality typesetting, which is preferably used for technical/scientific papers writing for journals by researchers, engineers and mathematicians at large. By this event student can show off their latex related skills.

Goals:

- Introduce Latex.
- Student should able to perform Latex coding.
- Student should able to understand basic syntax of Latex.

Outcomes:

- Prepare presentation using Latex.
- Customize Latex document.
- Prepare report using Latex.

Following are the rules of Latex Supremo Event:

1. Number of Participant= 1(max)
2. The aptitude test will be for 30 marks and time duration is 30 minutes. It has questions on different Latex commands. On the basis of marks candidate will be selected for the next round.
3. In the final round you have to give one latex template and you have to implement that template according to given instructions in 20 minutes.

Round I

1. Aptitude Test

In this round 30 marks Latex related aptitude paper was given to students. The time to solve paper was 30 min. criteria for selection was top 8 scored students will be selected for next round.

Total no of candidate attempt aptitude test =26

Total no of candidate sort list for next round = 8

Round II

2. Latex Implementation

In the final round latex template is given to students and they have to implement that template according to given instructions in 20 minutes.

Total no of candidate attempt round II=8

Name of Event Coordinator: Prof. Ms. Pawar K.D. (7499087377)

Total No. Of Entry's:28

Result:

Rank	Name of Student	Name of College	Mobile No.
2	DoshiAishwarya R.	PES's College of Engineering,Phaltan	8329444310
1	KutwalSaurabh R.	PES's College of Engineering,Phaltan	7757828061



Inauguration of Latex Supremo Event by chief guests Mr. Mahendra Jadhav



Participants attempting aptitude test of Latex Supremo



Participants performing the latex implementation in Latex Supremo



Runner up of Latex Supremo Ms. Aishwarya Doshi

4) NFS RACING:

Almost all of the games in the NFS series employ the same fundamental rules and similar mechanics: the player controls a race car in a variety of races, the goal being to win the race. In the tournament/career mode, the player must win a series of races in order to unlock vehicles and tracks. Before each race, the player chooses a vehicle and has the option of selecting either an automatic or manual Transmission. All games in the series have some form of multiplayer mode allowing players to race one another via a split screen, a LAN or the Internet. Since Need for Speed: High Stakes, the series has also integrated car body customization into gameplay.

Goals:

- Reducing Stress.
- Enjoyment.

Outcomes:

- Presence of Mind.
- Increasing IQ Level.

Rules for Game:

1. Every round is knockout round.
2. Race is played between 4 players.
No cheat codes are allowed



NFS Racing students Participating and performing

Total No. Of Entry's:-45(Internal) + 0(External) =45

Name of Department	No. of Students
Computer Department PESCOE	01
Mechanical Diploma PESCOE	44
Total=	45

Name of Event Coordinator: Prof. S. S. Pawar (9130058537)

Result:

Rank	Name of Participant	College Name	Moblie No
2	Mulani Parvez Abidali	PESCOE,Phaltan	8412890278
1	SasteAbhishek	PESCOE,Phaltan	9970720079



NFS Prize Distribution Mr. Parvezb Mulani accepting prize from MLA Dipakrao chavan

We are very thankful to Hon. Principal, Dr. M.K.Phadatare and Prof. R. P. Bagawade HoD of Computer department for their motivation and support for facilitating such activities at our College. For all the events of Computer Department Prof. Ms. S. S. Adagale worked as co-convener.

**Phaltan Education Society's
College of Engineering, Phaltan
Department of Civil Engineering**

“Kurkshetra 2K19 Event Report”

In **Kurkshetra 2K19 Event**, Civil Engineering Department had taken three event namely Building Model Exhibition, AUTO CAD, and Field Expo. Each event has selected on same specific purpose so that participant has known their skill, ability, new development etc.

Auto CAD is widely used and highly professional computer aided drafting. Auto CAD is a registered Product of Autodesk. In Auto cad Event We gave a plan of 1 BHK flat. Plan and Elevation are already given according to both plan, elevation and section also drawn by participants. Auto-cad is the software which we can draw the plan of any structure like building, bridge etc. This software is very useful for drawing of civil engineering because it gives accurate drawing in less time. So we included this event in Kurukshetra 2K19.

Field expo event checks the theoretical as well as practical knowledge of student. In this event Firstly 40 marks test was carried out related to surveying subject and then students are selected for solving a practical problem depend on their performance in test. Finally the winners are selected by accuracy of work and time consumed for practical. For this event total 6 groups was participated. In round first 3 groups are

scored maximum marks, hence they are selected for round second. This event check the field work of student such as levelling of dumpy level, sighting operation, taking the reading and calculating the reduced level of different point using height of instrument method or rise and fall method.

For Building Model Exhibition event we had given rules on basis of which they have to prepare building models. There is no restriction on size, shape and material selection for building model. Use of recycled material and innovation with good explanation with sound knowledge considered for getting extra grades. Winner selection Criteria considered was Appearance, Planning, Material, Innovation and Knowledge.

Winner group and runner group was decided by taking verdicts from examiners from different departments with design knowledge and Head of Civil Engineering department unanimously

Following Table Shows No. of Participant

Name of Event	AUTO-CAD
No. Of Participant	26
Participant from other Colleges	NA
Participant from PES COEP	26
Name of Judge (with Qualification and Experience)	No Judge

Name of Event	Field Expo
No. Of Participant	18
Participant from other Colleges	Nil
Participant from PES COEP	18
Name of Judge (with Qualification and Experience)	No Judge

Name of Event	Building Model Exhibition
No. Of Participant	19
Participant from other Colleges	NA
Participant from PES COEP	19
Name of Judge (with Qualification and Experience)	No Judge

Winners:

For AUTO CAD Drawing, winners are decided as per format given below:

Criteria	Accuracy (20)	Speed to complete the Plan (20)	Command (10)
-----------------	--------------------------	--	-------------------------

The winner of field expo event are decided on 1) Time of Completion 2) Accuracy of work

For Building Model Exhibition, Winner are decided by following criteria.

Scope of Subject	Presentation Skill	Methodology	Conclusion	Que-Ans
-----------------------------	-------------------------------	--------------------	-------------------	----------------

List of Winner:

Following are the list of winner in various event:

AUTO CAD Event

Position	Name/s of Participant	Name of College
Winner	Phadatare Namarata S.	PES's COE Phaltan
Runner	Jadhav Sukanya B.	PES's COE Phaltan

Field Expo Event

Position	Name/s of Participant	Name of College
Winner	Pravin Dandile, Sanket Salunkhe and SourabhGhadage.	PES'sCOE Phaltan
Runner up	BankarRutuja, MulikShivani and PathakDipali	PES'sCOE Phaltan

Building Model Exhibition Event

Position	Name/s of Participant	Name of College
Winner	Chavan Vaibhav, SurajNale, Khadde Rohit	PES'S COE, Phaltan.

Runner up	DoshiDivya, DhumalDisha, KalukheTejaswini	PES'S COE, Phaltan.
-----------	---	---------------------

Photographs of the Event:

Auto CAD :



Photo during practical performance of autocad event

Field Expo:



Photographs of Technical aptitude test (Round-I)



Photograph on Field (Round-II)

Building Model Exhibition



Student Participants explaining Chief Guest, all distinguish dignitaries, Honorable Principle and Head of Civil Engg. Department about Building Models crafted by them.

Feedback:

As an event co-convenor to handle this event was very excellent experience. Because of this I am learned how to do best management in any type of work. Such type of event is necessary to improve management skill of student, co-ordination.

Phaltan Education Society's
College of Engineering, Phaltan
Department of Electronics and Telecommunication Engineering

Report on Kurukshetra 2019-20
EVENT NAME: Twisters in 'C'

Name of Event	Twisters in 'C'
No. of Participant	19
Participant from other Colleges	00
Participant from PES COEP	19
Name of Judge (with Qualification and Experience)	-

Rules:

1. ID card is mandatory.
2. This is solo competition.
3. The exam will be offline.
4. Questions will be based on basic concepts of 'C' and 'C' Programming.
5. No. of rounds are subjected to no. of participants.
6. The answer of any question should not be overwritten.
7. The overwritten answers will not be considered for final score.
8. There is no negative marking scheme for the test.



Photo: Inaugural of Twisters in 'C' competition by Mr.Prakash Kumar and Mr.Amol Bhosale Sir



Participants solving paper in the Twisters in 'C' competition

Description: C is a general-purpose programming language that is extremely popular, simple and flexible. It is machine-independent, structured programming language which is used extensively in various applications.

C was the basics language to write everything from operating systems (Windows and many others) to complex programs like the Oracle database, Git, Python interpreter and more.'C' is a powerful programming language which is strongly associated with the UNIX operating system.Today 'C' runs under a variety of operating systems and hardware platforms.

So, learning 'C' is the main language will play an important role while studying other programming languages. It shares the same concepts such as data types, operators, control statements and many more. 'C' can be used widely in various applications. It is a simple language and provides faster execution. There are many jobs available for a 'C' developer in the current market.

Winners

Position	Name/s of Participant	Name of College
Winner	Kutwal Saurabh Ramesh	PES's COE Phaltan
Runner	Londhe Sonali Rajendra	PES's COE Phaltan

EVENT NAME: debate

Name of Event	Debate
No. of Participants	17
Participant from other Colleges	01
Participant from PES COEP	16 students
Name of Judge (with Qualification and Experience)	Dr. NitinChandrakantDhavade, HOD and Assistant professor in Hindi Department, Mudhoji College, Phaltan 13 years' experience

Rules:

- College id is compulsory
- Participant is solo and group based
- Topic will be given on the day of the event
- The medium of debating should be English or Marathi
- Use of unparliamentary words will lead to disqualification
- The participant will be judge on speaking skills, confidence level and presentation of thoughts
- The judge and event co-coordinator decision will be final
- Maximum 5 min for speaking
- No. of rounds if subjected to total no of participate



Photo: Inaugural of Debate competition by Dr. NitinDhavade & Departmental HODs



Photo: Students and Judges in Debate Competition

Description:

Debate is a process that involves formal discussion on a particular topic. In a debate, opposing arguments are put forward to argue for opposing viewpoints. Debate occurs in public meetings, academic institutions, and legislative assemblies. It is a formal type of discussion, often with a moderator and an audience, in addition to the debate participants. Logical consistency, factual accuracy and some degree of emotional appeal to the audience are elements in debating, where one side often prevails over the other party by presenting a superior "context" or framework of the issue.

Winners

Position	Name/s of Participant	Name of College
Winner	Sawant Trupti Tukaram Shinde Samidha Sanjay	PES's COE Phaltan
Runner	Waghmode Dada Maruti	Mudhoji College, Phaltan

EVENT NAME: Paper Presentation

Name of Event	Paper Presentation
No. of Participant	15
Participant from other Colleges	06
Participant from PES COEP	09
Name of Judge (with Qualification and Experience)	Prof. A. C. Bhosale Assistant Professor Qualification: M.E. (Dig. Sys.) , PhD*(Pursing) Teaching Experience: 11

Topics:

1. Advanced Wireless Communications
2. Nanotechnology for Electronic and Communication Engineering
3. The Evolution and Improvement of the ARM Architecture
4. Context Monitoring of a Patient Using Wireless Networks
5. Medical uses of Nanotechnology
6. Introduction to Surveillance Camera Control System
7. Next Generation Wireless Communication- Free Space Optics (FSO)
8. Bio Chip Informatics Technology for Electronic and Communication Engineering
9. Polymer Light-Emitting Diodes (PLED)
10. Nanotubes
11. Secure Symmetric Authentication For RFID Tags
12. Wireless Technologies, Wireless Fidelity (Wi-Fi) & World Wide Interoperability for Microwave Access (Wi-max)
13. Satellite-Based Tsunami and Earthquake Early Warning System
14. Speech Signal Analysis and Speaker Recognition by Signal Processing
15. Recent trends in Engineering



Photo: Inaugural of Paper Presentation competition by all judges and HOD of E&TC Department



Photo: Participant presenting paper in Paper Presentation Competition

Description: The Paper presentation topics are more valuable for the students to share their knowledge and improve their communication skills. These skills play a prominent role not only during their

engineering course, but also after the completion of their course, especially during their job search and career advancement. It is not only adding value to the resume but also helps in developing various skills such as Communication Skills, Stage daring, Confidence etc.

Winners

Position	Name/s of Participant	Name of College
Winner	Adsul Snehal Dipak	PES's COE Phaltan
Runner	Wagh Arti Chandrakant Yadav Dhanashri Sunil	PES's COE Phaltan

Chandrayan-2 Model Prepared by Department Srdents



Feedback given by Guests, Judges, Principal, Facuties & Participants...



**Phaltan Education Society's
College of Engineering, Phaltan
Academic year 2019-20**

Kurukshetra2019 Event Report (Diploma Mech.)

Name of Events	1. Water Rocket Launcher 2. CAD War (2D) 3. Mechanical Model Making	
No. Of Participant	1. Water Rocket Launcher-	55
	2. CAD War (2D)-	28
	3. Mechanical Model Making	12
Participant from other Colleges	1. Water Rocket Launcher-	00
	2. CAD War (2D)-	02
	3. Mechanical Model Making	00
Participant from PES's COEP	1. Water Rocket Launcher-	55
	2. CAD War (2D)-	26
	3. Mechanical Model Making	12

Winners:

Sr.	Event	Winners	Name	College Name
01.	Water Rocket Launcher	RUNNER UP	Khalate Rahul Sanjay	PES's COE, Phaltan
			MadaneSushantSukhadeo	PES's COE, Phaltan
		WINNER	BhosaleRohit Maruti	PES's COE, Phaltan
			GawadeRohitDattatray	PES's COE, Phaltan

02.	CAD War (2D Modeling)	RUNNER UP	KolekarTushaliTukaram	PES's COE, Phaltan
		WINNER	BhosaleRohit Maruti	PES's COE, Phaltan
03.	Mechanical Model Making	RUNNER UP	Borate Akshay	PES's COE, Phaltan
			PhadatareVishwajeet	
			SasteSanket	
			KadamSomnath	
		WINNER	KadamPriti Ashok	PES's COE, Phaltan
			JadhavSakshi Anil	
			ChinchkarAshishArun	
			JadhavAniket Sanjay	

Description:

- Inauguration of water rocket launcher, CAD war (2D) & Mechanical Model Making has done by cutting ribbon from Mr. Sandeep Kumar, Manager, Cummins India Ltd. Phaltan & all H.O.D.'s of COE, Phaltan.
- Student coordinators welcome all guest and participants and they were also gave introduction of judges.
- Staff coordinators were felicitate respective judges with flower.
- Then student coordinators told to the entire participant about rules, regulations and purpose of arranging this particular competition.
- Then we conduct various rounds of all events of the entire participants.
- After completion of all events, then judges declared the results to respective coordinator.
- Then student coordinators gave votes of thank to judges for judging the event.
- Then coordinators announced result of respective event on the basis of evaluation done by judge.
- Lastly on the behalf of PES's College of Engineering, Phaltan Principal Dr. M.K. Phadatare felicitates all judges with Memento.

CO/PO Achieved:

1. PO4 (Engineering tools): Apply relevant mechanical technologies and tools with an understandings of the limitations.
2. PO8 (Individual and team work): In this event students functioned in team effectively to complete the task given in the competition.
3. PEO2: Adopt state-of-the-art Mechanical engineering broad-based technologies to work in multi-disciplinary work environment.
4. PSO1 (Modern software usage): Used Autocad 2015 software for conducting the CAD-WAR event.

Department of Mechanical Engineering

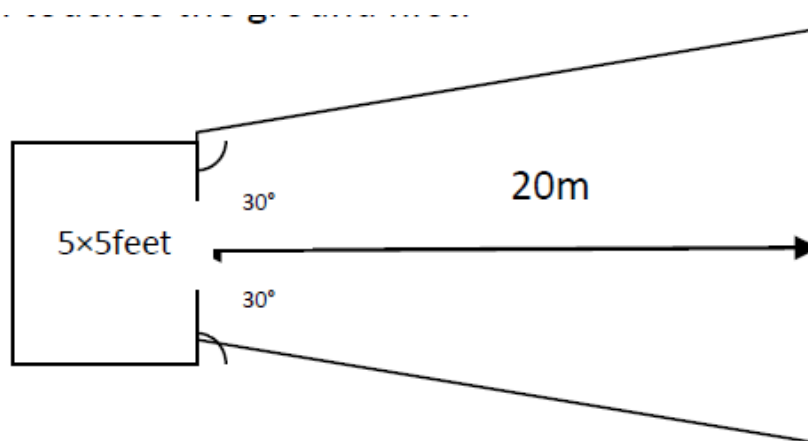
EVENT NAME: Water Rocket Launcher

Name of Event	Water Rocket Launcher
No. Of Participant	55
Participant from other Colleges	00
Participant from PES COEP	55
Name of Judge (with Qualification and Experience)	Mr. Jagtap M. B. (M.E. Mech.DesignEngg.) 5 Years' Experience

Rules:

ROUND 1:

We should be providing you with firing zone as shown in figure. Inside that a 5 feet square block for Launcher will be given at Centre & from that square block an angle restriction of 30° will be on both side. So, your rocket must pass the qualifying line that is 20 meter from the launcher or else will be disqualified from the event. And there are no points for the qualifying round. Distance is measured from portion of rocket which touches the ground first.



ROUND 2: -

For this round, there is no angle restriction. So, from center of line rocket will launch and points are 1Meter = 5 Points. Your rocket should fly in determined area

ROUND 3: -

In this round load, should attached on the body of rocket (weight attached should be in the range of 50,100,150...gms).

Total points = Point from Second round + (Points from Third round *Load Factor)

Where,

Load factor = Weight of rocket with load / Weight of rocket without load

(Maximum load applied leads to maximum load factor)

A) Rocket Launcher Equipment:

- Competitors bring their own rockets, launchers and team. Organizers provide no equipment
- All energy given to the rocket must only come from the compressed air. No other source of energy is allowed. You will get *compressor on spot*.
- No external metal parts are allowed on the rocket, but are allowed on the launch mechanism.
- You are only allowed to use plastic bottles/PVC pipes specifically designed for holding pressure, or that have been pressure tested (for example carbonated drink bottles). Please do not re-use bottles from previous competitions as they are likely to explode.
- Your launch apparatus must be secure and must be able to robustly control the rocket's flight direction.
- Particular care must be taken so that the rocket's launch direction is not changed when the launch mechanism is released. Launches guided by flexible wire ropes will not be allowed.
- You will need a launcher capable of launching a rocket at a variable vertical angle of up to 60° to the horizontal. The maximum launch angle will be decided on the day. You may launch at angles less than the maximum.
- If your rocket has fixed wings then a maximum variable launch angle of 30° to the horizontal is allowed. The maximum launch angle will be decided on the day.

D) On the Competition Day

- No fewer than 6 are allowed in the launch arena.
- When you arrive, and have checked in at the registration tent, your launch apparatus and all rockets will be safety checked. Judges can disqualify any equipment considered unsafe.
- You must use all safety equipment provided on the day (eyewear and earplugs).
- There will be three rounds. Scores from each will be added together to give a total score. You may bring more than three rockets, but only the first rocket launched, which will be labeled on the day, each round will count towards your total score.
- Listen & follow the details given on the day of event. When you are ready to launch, alert the volunteers and they will tell you if it is safe and will time your flight. If you cannot fire within the time allocated for the round, your score for that round will be zero.
- Your team will be assigned a volunteer who will inform you the correct launching elevation angle and indicate permissible directions of flight. As soon as your rocket leaves the launcher the volunteer will start the stopwatch, and will stop the watch when the labeled part of the rocket touches the ground, a tree, a building or goes out of sight. You will not be disqualified if small parts of the rocket come off and land early inside or outside the landing zone, but it will be at the volunteer's discretion to decide which is the largest part of the rocket.

- Rockets shall be launched from the firing line towards the landing zone. For your safety please do not walk into this area unless it has been announced that it is safe to do so.
- Bring along more than one rocket, and/or means of carrying out running repairs – you may have to repair rockets between rounds if necessary.



Inauguration of water rocket launcher in front of Hon. Guest of Kurukshetra 2k19





Description:

- Inauguration of water rocket launcher by cutting ribbon from Mr.Sandeep Kumar, Manager, Cummins India Ltd. Phaltan.
- AkibTamboli gave welcome speech and he also gave introductory speech regarding event
- Mr.Gundage V.V. explains purpose and aim of this event.
- Then ShivamJadhav told to the entire participant about rules of water rocket launcher competition.
- To provide excellent platform for student to enhance their technical capabilities.
- Then we conduct water rocket launcher competition among the entire participant.
- Then ShivamJadhav gave votes of thank to Mr. Jagtap M. B. for judging the event.
- Next Mr. Gundage V.V. announced result of water rocket launcher on the basis of evaluation done by Mr.Jagtap M.B.

CO/PO Achieved:

1. To understand Practical knowledge about Pneumatic and Hydraulic System.
2. To Understand Pascal Law by Practically.

WINNERS

Position	Name/s of Participant	Name of College
Winner	BhosaleRohit Maruti GawadeRohitDattatray	PES's COE, Phaltan
Runner up	Khalate Rahul Sanjay MadaneSushantSukhadeo	PES's COE, Phaltan

**Department MECHANICAL ENGINEERING
(DIPLOMA)**

EVENT NAME: CAD WAR – 2D

Name of Event	CAD WAR – 2D Modelling
No. of Participant	28
Participant from other Colleges	02
Participant from PES COE, Phaltan	26
Name of Judge (with Qualification and Experience)	Mr. Khalate J.V. (M.E. Heat Power) – 7 Years' Experience

Rules:

A) Round -1-

Generating 2D Drawing

Time – 30 minutes.

Rules –

1. This is a hand on round on 2D drawing software.
2. Problem statement consisting of orthographic view.
3. Result based on accuracy and speed.
4. Some Questions will be asked based on modelling.

B) Round-2-

Generating 2D Drawing

Time – 45 min.

Rules-

1. New Isometric view will be given and winner will be decided based on the same rule as earlier.

C) The judges' decisions are final.



Inauguration of CAD WAR (2D) event

Description:

- Inauguration of CAD war (2D) by cutting ribbon from Mr. Sandeep Kumar, Manager, Cummins India Ltd. Phaltan.
- Then OnkarGhadage told to the entire participant about rules and purpose of arranging CAD WAR 2D competition.
- Then we conduct two rounds of CAD war of the entire participant.
- After completion of all rounds Mr. Khalate J.V. declared result of this event.
- Then VishwajeetPhadatare gave votes of thank to Mr. Khalate J.V. for judging the event.
- Next Mr. Nalawade A. B. announced result of CAD- War (2D) on the basis of evaluation done by Judge.

CO/PO Achieved:

1. PO8 (Individual and team work): In this event students functioned individually and effectively to complete the task given in the competition.
2. PEO2: Adopt state of the art Mechanical engineering broad-based technologies to work in multi-disciplinary work environment.
3. PSO1 (Modern software usage): Used Autocad 2015 software for conducting the CAD-WAR event.

WINNERS

Position	Name/s of Participant	Name of College
Winner	Bhosale Rohit Maruti	PES's COE, Phaltan
Runner up	Kolekar Tushali Tukaram	PES's COE, Phaltan

Department MECHANICAL ENGINEERING

(DIPLOMA)

EVENT NAME: CAD WAR – 2D

Name of Event	Mechanical Model Making
No. of Participant	12
Participant from other Colleges	00
Participant from PES COE, Phaltan	12
Name of Judge (with Qualification and Experience)	Mr. Bagwan S.S. (M.E. Mech.DesignEngg.) – 4Years' Experience

Rules:

1. The classes who will participate in the competition are: Diploma and BE Students.
2. One team shall comprise of only 04 students.
3. No any particular dimensions of the model.
4. Model can be built using any medium i.e. Paper, Plywood, Plastic, Thermo pore, Metal etc.
5. Theme of the competition is any Mechanical Engineering model.
6. In case of electricity requirement, please intimate the contact person.

Evaluation Criteria -



Inauguration of Mechanical Model Making event by Dr. Rajvaidya



Judging of the event by Judges

Sr. No.	Parameters	Max Marks
1	Innovative Idea	10
2	Appropriate Construction	10
3	Finishing	10
4	Usefulness in Future	10
5	Explanation	10

Description:

- Inauguration of Mechanical Model Making by cutting ribbon from Dr. Parshwanath Rajvaidya, Member of Governing Council PES's College of engineering. Phaltan.
- Then Tanmay Kumbhar told to the entire participant about rules and purpose of arranging Mechanical Model Making competition.
- Then we conduct a demo of all mechanical models of the entire participant.
- After completion of all demo Mr. Bagwan S.S. declared result of this event.
- Then Vishwajeet Phadatare gave votes of thank to Mr. Bagwan S.S. for judging the event.
- Next Mr. Sangale D. J. announced result of Mechanical Model Making on the basis of evaluation done by Judge.

CO/PO Achieved:

1. PO8 (Individual and team work): In this event students functioned individually and effectively to complete the task given in the competition.
2. PEO2: Adopt state of the art Mechanical engineering broad-based technologies to work in multi-disciplinary work environment.

WINNERS

Position	Name/s of Participant	Name of College
Winner	KadamPriti Ashok JadhavSakshi Anil ChinchkarAshishArun JadhavAniket Sanjay	PES's COE, Phaltan
Runner up	Borate Akshay PhadatareVishwajeet SasteSanket KadamSomnath	PES's COE, Phaltan

Department of Electronics and Telecommunication

Engineering (Diploma)

Event Name: - Paper Presentation

Name of Event	Paper Presentation
No. of Participants	22 students
Participant from other Colleges	4 students
Participant from PES COEP	18 students
Name of Judge (with Qualification and Experience)	Prof. Prakash Kumar (ME Electronics) Lecturer & TPO AES COE&T (Polytechnic), Wadwadi Experience: 10 years.

Topics for Paper Presentation:

1. Latest trends in embedded system
2. Hybrid Vehicle
3. Industry 4.0
4. E-noise
5. Advanced Technologies in E&TC field
6. Role of E&TC in Disaster management

Rules:

1. Maximum no. of participants per group: 02
2. Registration fee is Rs. 100/- per Group.
3. The paper should be in IEEE format and Paper should not exceed six pages.
4. Paper should be in a MS word document (.doc) or pdf document.
5. The presentation time is for **6 mins** and queries for **2 mins** for each paper.
6. Replacement of any participants of a team is not allowed after registration.



Photo. Student while presentation



Photo. Question Answer Round Interaction of Judge Mr. P with Student after presentation

Description: Paper presentation is part of technical fest in every engineering college. The main Motto of the paper presentation us to bring students out of stage fear and also improves their knowledge and communication skills. It plays an extravagant role in the student's life .It also provides students an opportunity to learn in details about subject and develop effective presentation skills.

Outcomes of Paper Presentation Competition

1. Design, develop and analyses different presentations which improves Soft skills and Technical skills.

Winners

Position	Name/s of Participant	Name of College
Winner	Dhasade Vaibhavi V Bhatre Samruddhi S	AESCOET(Poly), Wadwadi
Runner up	Ranaware Minal R. Khatake Mayuri K.	PES's COE Phaltan

Event Name: Quiz Competition

Name of Event	Quiz Competition
No. of Participant	62
Participant from other Colleges	4
Participant from PES COE, Phaltan	58

Rules & Regulation

1. All the participants should be present at sharp 12:00 PM for aptitude test (Round-I) Identity card is compulsory.
2. A team should not have more than two members & replacement of any participant of a team is not allowed after registration.
3. The participants will not be allowed to use mobile or other electronic gadgets during the quiz.
4. The questions shall be in the form of multiple choices, true/false statements, specific-one word answer
5. Registration fee is Rs. 100/- per Group.

Events Snapshots:



Photo: Inaugural of Quiz Competition by Asst. Prof. Amol Bhosale, S.B. Patil COE., Indapur



Photo: Student at the Qualifying Round



Photo: Participants at Visual Round

The event has been conducted as per following manner: Round -I

Aptitude Test (Qualifying Round)

1. The participants will be informed of the venue & time in due course of time.
2. Each team would have to answer 20 multiple choice objective type questions.
3. Time limit will be 15 minutes for the entire session.
- 4. Only 10 teams** would be selected for the **ROUND II**
5. In case of tie between any two or more teams, additional 5 questions will be given to the teams in question paper & a final selection will be made.
6. The selected team shall have to appear for the Round II for which the venue & time will be informed during the qualifying round.

Round –II Rapid Fire Round.

1. Ten questions will be asked to each group in 100 seconds.
2. Ten (10) marks will be awarded for each correct answer whereas five (5) marks will be deducted for each wrong answer.
3. Top 4 groups will be selected for Round 3.
4. In case of tie between any two or more teams & additional 3 questions with same marking scheme will be given to the teams in questions & a final selection will be made.

Round -III (visual round)

1. Question will be projected on the screen & team getting 5 questions.
2. 10 marks will be awarded for the each correct answer whereas wrong answer will lead to a deduction of 5 marks each.
3. Answering time is limited to 60 seconds per question.
4. No passing is allowed to the next team. Audience can answer subjected to quiz master's request.
5. Top 2 teams would be selected as Winner & Runner-up.

6. In case of tie between any two or more teams, & additional 1 question with same marking scheme will be given to the teams in questions & a final selection will be made.

Outcomes of Quiz Competition:

1. Quiz improve or expanding one's knowledge of things in general or in specific area.
2. Quiz are designed to promote, a fun way to study and in the process help improve one's Technical knowledge.
3. Quiz competitions enables students to think from different angles or simply 'to think out of the box'.

Winners

Position	Name/s of Participant	Name of College
Winner	i) Bhosale Samiksha Sanjay ii) Gaikwad Rutuja Nandkumar	PES's College of Engg. Phaltan
Runner up	i) Vedpathak Prasad Dilip ii) Shinde Harshad Sanjaykumar	PES's College of Engg. Phaltan

Event Name: Poster Presentation

Name of Event	Poster Presentation
No. Of Participant	09
Participant from other Colleges	05
Participant from PES COEP	04
Name of Judge (with Qualification and Experience)	Mr. Sagar Shinde Arts Teacher(Artist)

Rules:

- 1 Number of Participant= 2 (max)
- 2 Size of Poster= A2(11.7*16.5 inch)
- 3 For one entry only one poster is allowed.
- 4 The time duration is 10 minutes for explanation.
- 5 On basis of explanation and poster, winner will get selected.
- 6 Any material will not be provided by college.
- 7 Any topic containing message.



Photo: Inauguration of Poster Competition by Guest



Photo: Guest by observing the posters



Photo: Judge while evaluating posters



Photo: Judge while evaluating posters

Description: Engineers, like all professionals, must possess a well-developed ability to communicate. This poster presentation, held at the Phaltan Education Society's, College of Engineering, Phaltan organized by Electronics & Telecommunication Engineering Department (Diploma) under the Kurukshetra 2019-20 a state level technical event is designed to emphasize the ability to deliver a visual presentation. Poster presentation is to educate others with one's summary of research or creative project in a visually engaged way. The poster stands on its own as a clear, logical and subjective representation to make others to visualize. The E&TC students have conducted poster presentation with excellent illustrations on the topics as Transparent display, Global Warming, Hybrid Car, Chandrayan 2, Cyber Crime & Cyber Security, Integrated Circuit, Radar System, How to get success.....etc

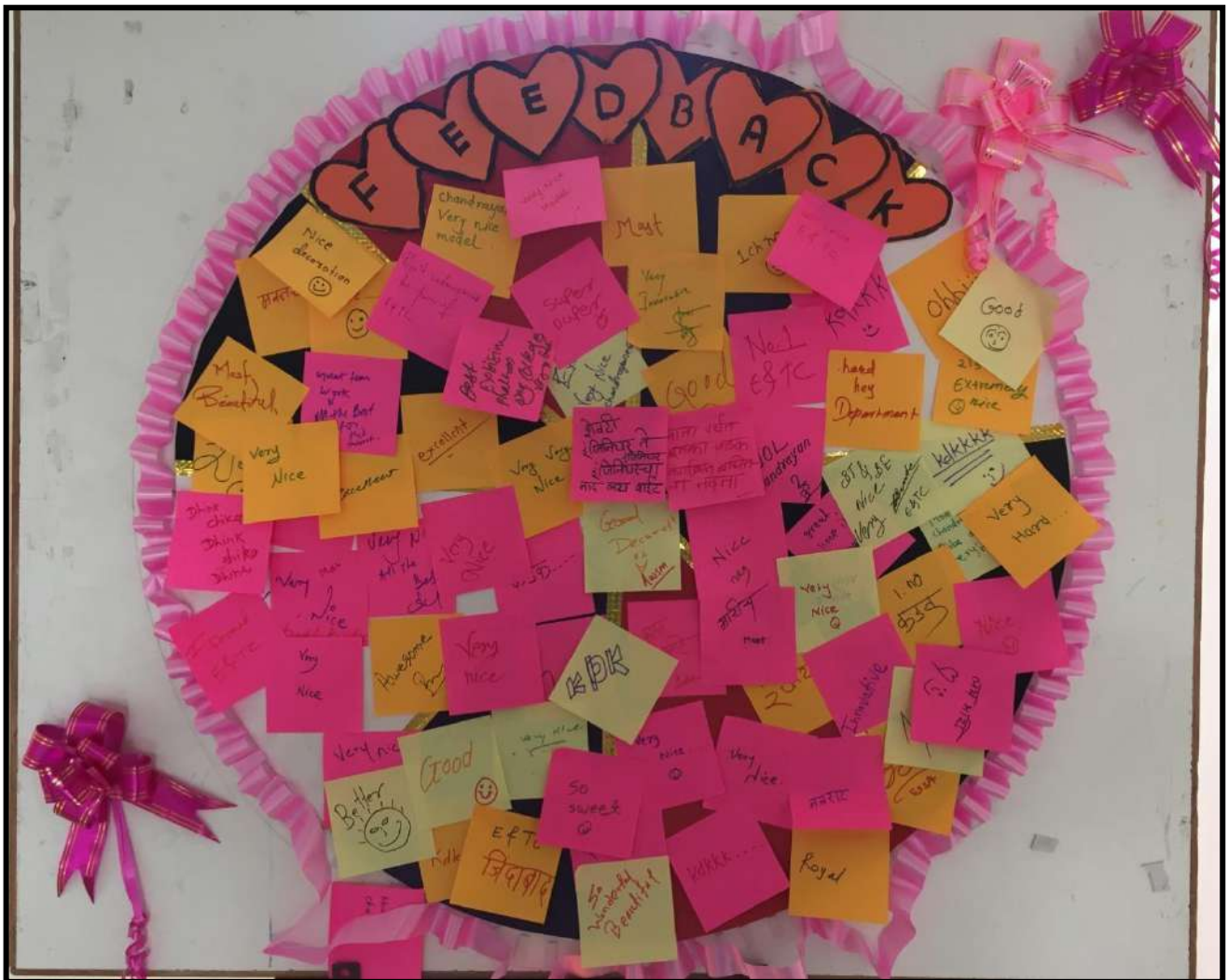
Outcomes of Poster Competition

1. Ability to design the own idea/ concept of the student
2. Interpretation of idea in front of Judges, Guest & visitors.

Winners

Position	Name/s of Participant	Name of College
Winner	Miss Adsul Snehal Dipak Miss Adsul Minal Dipak	PES, College of Engineering, Phaltan
Runner up	Miss Shedage Aarati Satish Shedage Shubham Satish	Rajiv Gandhi Polytechnic, Phaltan

Feedback given by Guests, Judges, Principal, Faculties & Participants...



Phaltan Education Society's
College of Engineering, Phaltan
Report
On
Maths Quiz Competition
Held
Under State Level Technical Event
“Kurukshetra-2019”

Duration

07th Sep. 2019 to 14th Sep. 2019

Venue

At Various High-Schools & Junior Colleges

About Maths Quiz Competition

Our Science and Humanity First Year Department organized “Maths Quiz Competition”, under State Level Technical event “Kurukshetra – 2019” for 12th Std. students at various Junior Colleges. This quiz competition is totally based on syllabus of MHT-CET (11th std. Mathematics). The MHT-CET or Maharashtra Common Entrance Test is a state-level entrance exam conducted for admission into Engineering and Allied Health Science courses offered by colleges of Maharashtra. This quiz shall be proved to be an excellent platform for the students for preparation of MHT-CET and to accelerate their capabilities.

Rules for Maths Quiz Competition

- Questions Based on Syllabus of MHT-CET (11th Std. Maths.).
- Only 12th Std. Students can appear.
- No Entry Fees.
- No Negative Marking.
- Total 20 multiple choice questions, each for 2 Marks.
- Time for quiz – 30 min.
- Mobile or any other electronic instruments are not allowed.
- **Prizes: First Prize: Rs. 1000/-**

Second Prize: Rs. 800/-

Third Prize :Rs. 500/-

Schedule of Quiz Competition

Sr. No.	Jr. College	Date	Staff Name
1	Mudhoji Highschool and Jr. College, Phaltan	09/09/2019	Prof. Ms. T. D. Bhosale
			Prof. Ms. S. B.Nale
2	Malojiraje Sheti Vidyalay, Phaltan	13/09/2019	Prof. G. V.Thombare
			Prof. S. R. Sawant
3	Mudhoji College, Phaltan	11/09/2019	Prof. A. L. Sodmise
			Prof. S. S. Bagwan
4	S.S.E.M.S. Phaltan	14/09/2019	Prof. S. B. Jadhav
5	Malojiraje Jr. College, Lonand	07/09/2019	Prof. N. S. Govekar
			Prof. Ms. P. S. Dhaigude
6	Siddhanath Jr. College, Mhaswad	14/09/2019	Prof. A. A. Hipparkar
			Prof. D. N. Shinde
7	Dnyanvardani Highschool and Jr. College, Mhaswad	14/09/2019	Prof. S. B. Shejal
			Prof. S. V. Kalel

Mudhoji High school and Jr. College, Phaltan

- Date of Test:- 09/09/2019
- Total Number of Participants = 82



Students Appearing for Maths Test



Students Appearing for Maths Test

MalojirajeShetiVidyalay and Jr. College, Phaltan

- Date of Test:-13/09/2019
- Total Number of Participants = 33



Students Appearing for Maths Test



Students Appearing for Maths Test

Mudhoji College, Phaltan

- **Date of Test:-11/09/2019**
- **Total Number of Participants = 37**



Students Appearing for Maths Test



Students Appearing for Maths Test

Malojiraje Jr. College, Lonand

- **Date of Test:-07/09/2019**
- **Total Number of Participants = 80**



Students Appearing for Maths Test



Students Appearing for Maths Test

Siddhanath High School and Jr. College, Mhaswad

- Date of Test: -14/09/2019
- Total Number of Participants = 38



Students Appearing for Maths Test



Students Appearing for Maths Test

DnyanvardaniHightschool and Jr. College, Mhaswad

- **Date of Test:-14/09/2019**
- **Total Number of Participants = 12**



List of Winners

MudhojiHightschool and Jr. College, Phaltan

Sr. No.	Name of Student	Rank	Prize in Rupees
1	Mr.SahilSandeep Shah	First	Rs. 1000/-
2	Miss. ShivaniRajendraShinde	Second	Rs. 800/-
3	Miss. AkankshaPandurangRanaware	Third	Rs. 500/-

MalojirajeShetiVidyalay and Jr. College, Phaltan

Sr. No.	Name of Student	Rank	Prize in Rupees
1	Mr.DipakKisanKolekar	First	Rs. 1000/-
2	Mr.UtkarshSantoshKhatke	Second	Rs. 800/-
3	Mr.Pranav Vilas Sawant	Third	Rs. 500/-

Mudhoji College, Phaltan

Sr. No.	Name of Student	Rank	Prize in Rupees
1	Miss. Pranali Vitthal Nimbalkar	First	Rs. 1000/-
2	Mr.Pushkar Vittal Mulik	Second	Rs. 800/-
3	Miss. Samiksha Nitin Chavan	Third	Rs. 500/-

Malojiraje Jr. College, Lonand

Sr. No.	Name of Student	Rank	Prize in Rupees
1	Mr.RushikeshAjitChavan	First	Rs. 1000/-
2	Miss. Siddiqui Anjum Sultan	Second	Rs. 800/-
3	Mr.AtishAnjan Mane	Third	Rs. 500/-

SiddhanathHighschool and Jr. College, Mhaswad

Sr. No.	Name of Student	Rank	Prize in Rupees
1	Miss. AamrapaliSubhashBhagwat	First	Rs. 1000/-
2	Miss. PritiAnkushSagar	Second	Rs. 800/-
3	Miss. Sanjana Sanjay Takane	Third	Rs. 500/-

DnyanvardaniHighschool and Jr. College, Mhaswad

Sr. No.	Name of Student	Rank	Prize in Rupees
1	Mr. Pratik Subhash Kalel	First	Rs. 1000/-
2	Mr.ViswasDevchandBhangare	Second	Rs. 800/-
3	Mr.SaurabhRohidasVirkar	Third	Rs. 500/-

Prize Distribution Ceremony



Inauguration by Saraswati Poojan and Dipprajwala



Felicitation of Guest



Winners While Accepting Prize



Winners While Accepting Prize



Winners While Accepting Prize



Winners While Accepting Prize

Outcome

We conducted Maths Quiz Competition at 6 various High schools/Jr. Colleges Total = 284 Students appeared for test out of these students we selected 03 Prizes from each high school/ Jr. college. The syllabus of this Maths quiz competition was totally based on MHT-CET (11th std. Mathematics). The MHT-CET or Common Entrance Test is an annual entrance exam conducted by the Government of Maharashtra. It is conducted by the Directorate of Technical Education. The degree courses of the following streams are mainly accounted for in this entrance exam: Engineering and Pharmacy. This quiz shall be proved to be an excellent platform for the students for preparation of MHT-CET and to accelerate their capabilities.

Report Submitted By

Prof. S. V. Kalel
Convener, Kurukshetra 2019